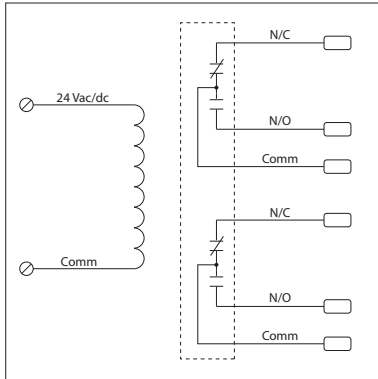


30 AMP TRACK MOUNT CONTROL RELAY

RIBM24ZN

4.00" Track Mount Relay 30 Amp DPDT with
24 Vac/dc Coil



RELAYS

SPECIFICATIONS

- # Relays & Contact Type: One (1) DPDT Continuous Duty Coil
- Expected Relay Life: 10 million cycles minimum mechanical
- Operating Temperature: -30 to 140° F
- Humidity Range: 5 to 95% (noncondensing)
- Operate Time: 18ms
- Relay Status: LED On = Activated
- Dimensions: 1.600" x 4.000" x 1.750"
- Track Mount: 4.000", See MT4 Series on page 152
MT4 Mounting Track Sold Separately
- Approvals: UL Component Recognized, UL916 C-UL
- Gold Flash: Yes
- Override Switch: No

- Contact Ratings:**
- 30 Amp Resistive @ 300 Vac
- 25 Amp Resistive @ 28 Vdc
- 15 Amp Resistive @ 600 Vac
- 20 Amp Ballast @ 277-480 Vac
- Not rated for Electronic Ballast*
- 3 HP @ 480-600 Vac
- 2 HP @ 240/277 Vac
- 1 HP @ 120 Vac
- NEMA B600 Pilot Duty

- Coil Current:**
- 110 mA @ 20 Vac
- 125 mA @ 24 Vac
- 55 mA @ 20 Vdc
- 55 mA @ 24 Vdc
- 70 mA @ 30 Vdc

- Coil Voltage Input:**
- 24 Vac/dc ; 50-60 Hz
- Drop Out = 3 Vac / 3.8 Vdc
- Pull In = 20 Vac / 20 Vdc